

CNOMO SOLENOID VALVE

Solenoid valve to CNOMO 060580.

- 3/2 version normally closed
- Bistable and monostable manual actuation
- Assembly on manifold base

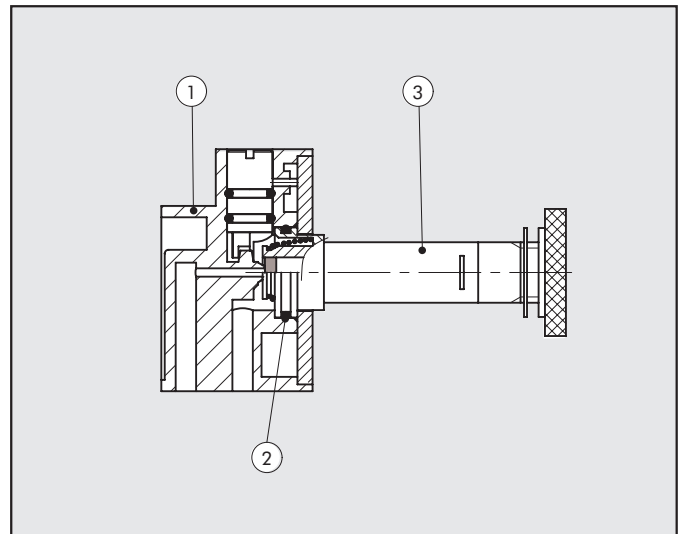
TECHNICAL DATA

| | | |
|-----------------------------|------|-----------------------------------------|
| Operating pressure | P | Max 10 bar |
| Operating temperature range | T | -10°÷60°C |
| Solenoid rating | | 100% ED |
| Fluid | | filtered lubricated or unlubricated air |
| System | | with poppet |
| Nominal flow rate | Qn | 40 NI/min |
| Response times | msec | TRA 22 msec TRR 32 msec |
| Max. coil/nut torque | | 10 Nm |

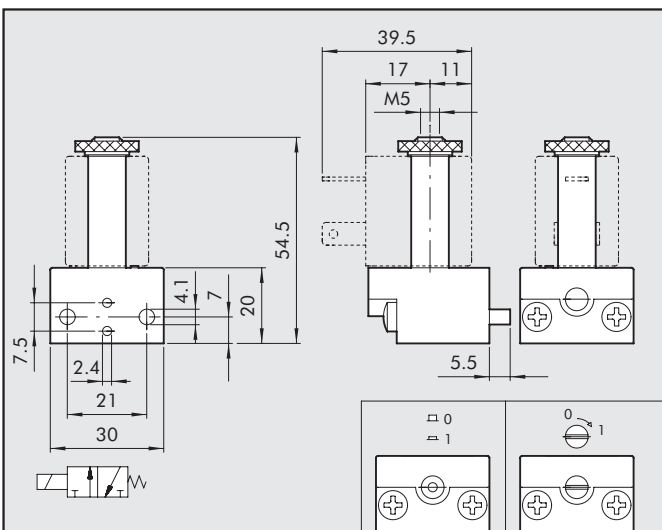


COMPONENTS

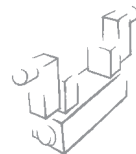
- ① VALVE BODY: HOSTAFORM®
- ② GASKETS: NBR nitrile rubber
- ③ OPERATOR: Brass pipe, stainless steel core



DIMENSIONS

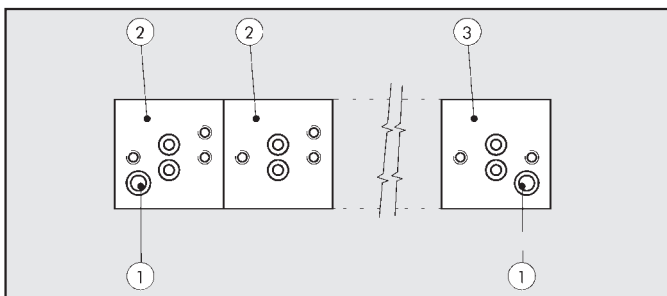


| Code | Description |
|---------|--------------------------------------------|
| 9453920 | CNOMO 3/2 WITH MONOSTABLE MANUAL ACTUATION |
| 9453922 | CNOMO 3/2 WITH BISTABLE MANUAL ACTUATION |



MODULAR CONFIGURATION OF CNOMO BASES

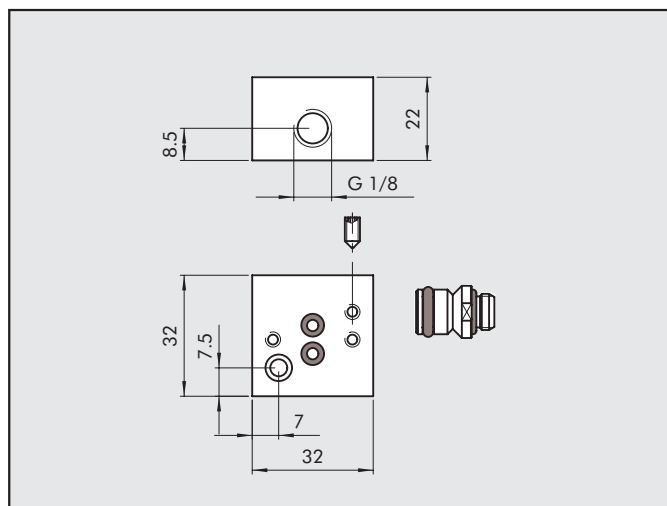
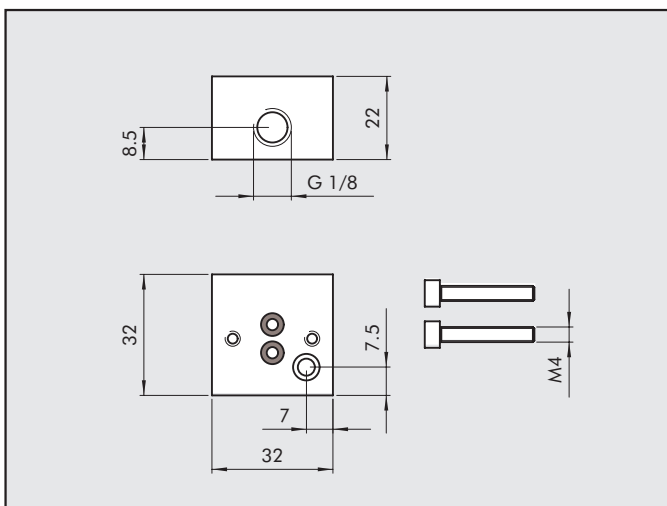
COMPONENTS



- ① Two fixing screws (included in input kit)
- ② CNOMO manifold base kit
- ③ CNOMO manifold base input kit

CNOMO MANIFOLD BASE INPUT KIT

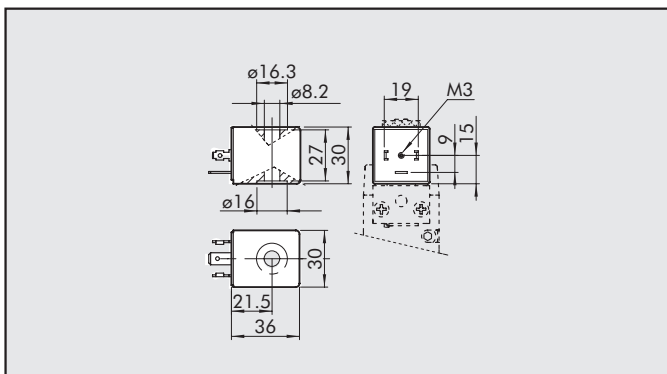
CNOMO MANIFOLD BASE KIT



| Code | Description |
|------------|-------------------------------|
| 0227000200 | CNOMO MANIFOLD BASE INPUT KIT |

| Code | Description |
|------------|-------------------------|
| 0227000150 | CNOMO MANIFOLD BASE KIT |

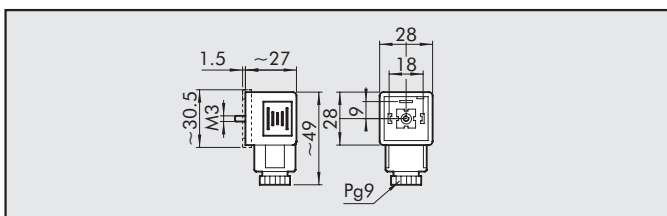
COILS, SIDE 30 mm



- Electric contact DIN 43650 Shape A
- Voltage tolerance: -10%/-10%
- Insulation class: F155
- Degree of protection: IP65 EN 60529 with connector
- Solenoid rating: 100% ED
- Maximum coil temperature at 100% ED use 70°C at 20° ambient temperature

| Code | Nominal voltage | Absorption | | Abbrev. |
|-------------|-----------------|------------|---------|-----------------------|
| | | Inrush | Holding | |
| W0210010100 | 24Vcc | 5W | 4W | Coil 30 Ø8 4W-24VDC |
| W0210011100 | 24V 50/60Hz | 10VA | 4VA | Coil 30 Ø8 4VA-24VAC |
| W0210012100 | 110V 50/60Hz | 10VA | 4VA | Coil 30 Ø8 4VA-110VAC |
| W0210013100 | 220V 50/60Hz | 10VA | 4VA | Coil 30 Ø8 4VA-220VAC |

CONNECTOR ON SIDE 30 mm



| Code | Colour | Cable diameter | Type |
|-------------|-------------|----------------|----------------|
| W0970520033 | black | PG9 | Standard |
| W0970520034 | transparent | PG9 | LED 24V |
| W0970520035 | transparent | PG9 | LED 110V |
| W0970520036 | transparent | PG9 | LED 220V |
| W0970520037 | transparent | PG9 | LED + VDR 24V |
| W0970520038 | transparent | PG9 | LED + VDR 110V |
| W0970520039 | transparent | PG9 | LED + VDR 220V |